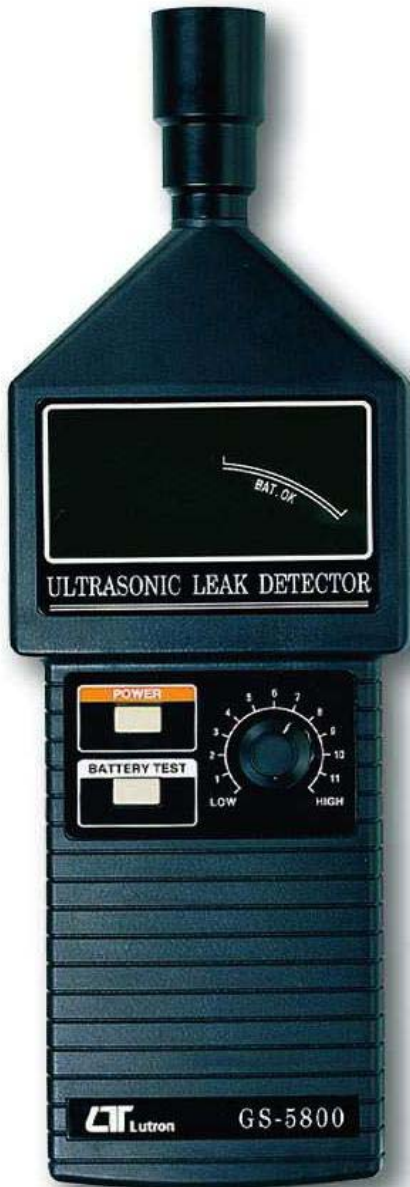


ULTRASONIC LEAKAGE DETECTOR ULTRASONIC TRANSMITTER

Model : GS-5800M, GS-400

ISO-9001, CE, IEC1010



ULTRASONIC LEAKAGE DETECTOR

Model : GS-5800



ULTRASONIC TRANSMITTER

Model : GS-400

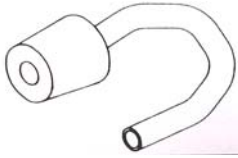
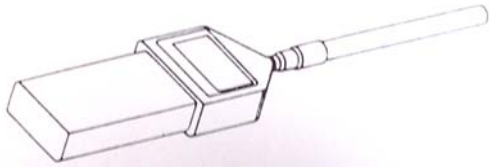


LUTRON ELECTRONIC

The Art of Measurement

ULTRASONIC LEAKAGE DETECTOR

Model : GS-5800

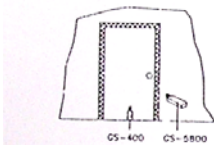
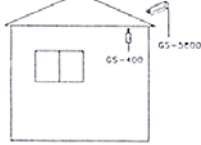
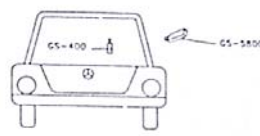
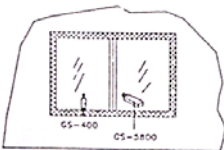
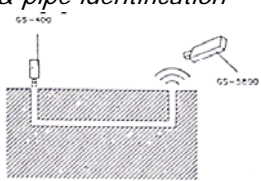
| FEATURES | |
|--|---|
| ULTRASONIC LEAKAGE DETECTOR is designed to locate the source of the ultrasonic emissions generated by gas, air leaks.... The leakage level is displayed by "Bar LED Display Panel" and converted to audible sound by either internal buzzer or external optional earphone. | |
| SPECIFICATIONS | |
| Sensitivity for Leakage Indicator | Bar LED display panel & audible tone. * <i>The LED display indicator of the detector is a relative measurement only.</i> |
| Frequency Response | 20 KHz to 100 KHz. |
| Power Supply | DC 9V battery. 006P, MN1604 (PP3) or equivalent, Alkaline or heavy duty type battery. |
| Power Consumption | Approx. DC 34 mA. |
| Operating Temp. | 0 °C to 50 °C (32 °F to 122 °F). |
| Operating Humidity | Less than 80% RH. |
| Weight | Approx. 260 g/0.57 LB (including battery). |
| Size | HWD 255 x 70 x 28 mm (10.0 x 2.8 x 1.1 inch). |
| Accessories Included | Operational manual.....1 PC. Rubber bottle plug with plastic tubing.....1 PC. 1/2 inch PVC pipe.....1 PC. Hard carrying case.....1 PC. |
| Optional Accessory | Earphone, Model : EA-100 |
| MISCELLANEOUS ACCESSORIES (accessories included) | |
| Rubble bottle plug with plastic tubing | 1/2 inch PVC pipe |
|  |  |

ULTRASONIC TRANSMITTER

Model : GS-400

| SPECIFICATIONS | |
|-----------------------|---|
| Frequency Output | 40 KHz. |
| Oscillator Circuit | 640 KHz crystal time base & divided by 16. |
| Operating Temperature | 0 °C to 50 °C (32 °F to 122 °F). |
| Operating Humidity | Less than 80% RH. |
| Power Supply | DC 9V battery. 006P, MN1604 (PP3) or equivalent, Alkaline or heavy duty type battery. |
| Power Consumption | Approx. DC 7.5 mA. |
| Weight | 122 g/0.27 LB (included battery). |
| Size | 146 x 50 x 26 mm (5.7 x 2.0 x 1.0 inch). |
| Accessories Included | Operational manual.....1 PC. |

Applications for Ultrasonic transmitter (GS-400) cooperate with the Ultrasonic Leakage Detector (GS-5800)

| | | |
|---|---|--|
| <i>Air leaks around door seals</i>  | <i>Water leaks in roofs</i>  | <i>Windshield leaks</i>  |
| <i>Air leaks around window seals</i>  | <i>Conduit & pipe identification</i>  | <i>Others (GS-5800 only) :</i> * Vacuum leaks. * Gas or air leaks. * Leaks in refrigeration and air condition systems. * Tire & tube leaks. * Engine seals. |

* Appearance and specifications listed in this brochure are subject to change without notice.