

*SD card real time datalogger
+ Type K/J thermometer*

LIGHT METER

Model : YK-37UVSD



Your purchase of this UVA, UVC LIGHT METER with SD CARD DATALOGGER marks a step forward for you into the field of precision measurement. Although this METER is a complex and delicate instrument, its durable structure developed. Please read the following instructions carefully and always keep this manual within easy reach.

OPERATION MANUAL

TABLE OF CONTENTS

1. FEATURES.....	1
2. SPECIFICATIONS.....	2
3. FRONT PANEL DESCRIPTION.....	6
3-1 Display.....	6
3-2 Power Button (ESC, Backlight Button).....	6
3-3 Hold Button (Function, Next Button).....	6
3-4 REC Button (Enter Button).....	6
3-5 SET Button (▼ Button, Time check Button).....	6
3-6 Logger Button (▲ Button, Sampling time check Button).....	6
3-7 Probe input socket.....	6
3-8 Type K/J Probe Input Socket.....	6
3-9 SD card socket.....	6
3-10 RS-232 Output Terminal.....	6
3-11 Reset Button.....	6
3-12 DC 9V Power Adapter Input Socket.....	6
3-13 Battery Compartment/Cover.....	6
3-14 Battery Cover's Screws.....	6
3-15 Stand.....	6
3-16 Tripod Fix Nut.....	6
3-17 UVC Probe Plug.....	6
3-18 UVC Sensor body.....	6
3-19 UVC Sensor.....	6
3-20 UVA Probe Handle.....	6
3-21 UVA Sensor.....	6
3-22 UVA Probe Plug.....	6
3-23 UVA Sensor Cover.....	6
4. MEASURING PROCEDURE.....	7
4-1 Function selection/Measurement.....	7
4-2 Data Hold.....	9
4-3 Data Record (Max./ Min. reading).....	10
4-4 LCD Backlight ON/OFF.....	10
5. DATALOGGER.....	11
5-1 Preparation before execute datalogger function.....	11
5-2 Auto Datalogger (Set sampling time ≥ 1 second).....	12
5-3 Manual Datalogger (Set sampling time = 0 second).....	13
5-4 Check time information.....	13
5-5 Check sampling time information.....	14
5-6 SD Card Data structure.....	14
6. Saving data from the SD card to the computer.....	15
7. ADVANCED SETTING.....	16
7-1 Set clock time (Year/Month/Date, Hour/Minute/ Second).....	17
7-2 Decimal point of SD card setting.....	18
7-3 Auto power OFF management.....	18
7-4 Set beep Sound ON/OFF.....	19
7-5 Select the thermometer type to Type K or Type J.....	19
7-6 Select the temperature unit to $^{\circ}\text{C}$ or $^{\circ}\text{F}$	20
7-7 Set sampling time.....	20
7-8 SD memory card format.....	20
8. POWER SUPPLY from DC ADAPTER.....	21
9. BATTERY REPLACEMENT.....	21
10. SYSTEM RESET.....	22
11. RS232 PC serial interface.....	22
12. Optional Type K Temp. probe.....	24
13. PATENT.....	25

1. FEATURES

- * UVA, UVC light measurement in one meter.
- * Long wave 365 nm ultra-violet irradiance measurement. Professional UVA light meter, used to measure the UVA irradiation value under the UVA light (black light) source.
- * Short wave 254 nm ultra-violet irradiance measurement. Professional UVC light meter, used to measure the UVC irradiation value under the UVC light source.
- * Two ranges : 2 mW/cm^2 , 20 mW/cm^2 .
- * Meter include two probes : UVA probe and UVC probe.
- * UV LSensor with cosine correction filter.
- * UV function build Zero button.
- * Application for the UV light measurement : Monitoring blue light radiation hazards in welding, UV sterilization , Graphic arts, Photochemical matching, UV EPROM erasure, Photoresist exposure, Curing of inks, adhesives and coatings.
- * Microprocessor circuit provides high reliability and durability.
- * Separate UV LIGHT probe allows user to measure the UV light at an optimum position.
- * Type K, Type J thermocouple thermometer.
- * Real time SD memory card Datalogger, it Built-in Clock and Calendar, real time data recorder , sampling time set from 1 second to 3600 seconds.
- * Manual datalogger is available (set the sampling time to 0), during execute the manual datalogger function, it can set the different position (location) No. (position 1 to position 99).

- * Innovation and easy operation, computer is not need to setup extra software, after execute datalogger, just take away the SD card from the meter and plug in the SD card into the computer, it can down load the all the measured value with the time information (year/month/date/ hour/minute/second) to the Excel directly, then user can make the further data or graphic analysis by themselves.
- * SD card capacity : 1 GB to 16 GB.
- * LCD with green light backlight, easy reading.
- * Can default auto power off or manual power off.
- * Data hold, record max. and min. reading.
- * Microcomputer circuit, high accuracy.
- * Power by UM3/AA (1.5 V) x 6 batteries or DC 9V adapter.
- * RS232/USB PC computer interface.

2. SPECIFICATIONS

2-1 General Specifications

Circuit	Custom one-chip of microprocessor LSI circuit.
Display	LCD size : 52 mm x 38 mm LCD with green backlight (ON/OFF).
Measurement	UV Light : UVA, UVC Type K/J thermometer
UVA, UVC selection	Select by pushin the front button.
UV Sensor spectrum cover range	240 nm to 390 nm.
UV sensor structure	The exclusive UV photo sensor with the cosine correction filter.

UV light zero adjustment	By push button.	
Memory with Recall	Records Maximum & Minimum reading with recall.	
Datalogger Sampling Time Setting range	Auto	1 second to 3600 seconds <i>@ Sampling time can set to 1 second, but memory data may loss.</i>
	Manual	Push the data logger button once will save data one time. <i>@ Set the sampling time to 0 second.</i> <i>@ Manual mode, can also select the 1 to 99 position (Location) no.</i>
Memory Card	SD memory card. 1 GB to 16 GB.	
Advanced setting	<ul style="list-style-type: none"> * Set clock time (Year/Month/Date, Hour/Minute/ Second) * Decimal point of SD card setting * Auto power OFF management * Set beep Sound ON/OFF * Set thermometer type to Type K or Type J * Set temperature unit to °C or °F * Set sampling time * SD memory card Format 	
Temperature Compensation	Automatic temp. compensation for the type K/J thermometer.	
Data Hold	Freeze the display reading.	
Memory Recall	Maximum & Minimum value.	
Sampling Time of Display	Approx. 1 second.	
Data Output	RS 232/USB PC computer interface. <ul style="list-style-type: none"> * <i>Connect the optional RS232 cable UPCB-02 will get the RS232 plug.</i> * <i>Connect the optional USB cable USB-01 will get the USB plug.</i> 	

Operating Temperature	0 to 50 °C .		
Operating Humidity	Less than 85% R.H.		
Power Supply	* .Alkaline or heavy duty DC 1.5 V battery (UM3, AA) x 6 PCs, or equivalent.		
	* .DC 9V adapter input. (AC/DC power adapter is optional).		
Power Current	Normal operation (w/o SD card save data and LCD Backlight is OFF) : <i>Approx. DC 6.5 mA.</i>		
	When SD card save the data but and LCD Backlight is OFF) : <i>Approx. DC 30 mA.</i>		
	* .If LCD backlight on, the power consumption will increase approx. <i>16 mA.</i>		
Weight	Meter	351 g	
	UVA probe	100 g	
	UVC probe	103 g	
Dimension	Meter	177 x 68 x 45 mm	
	UVA probe	Head	45 mm dia x 32 mm
		Handle	125 x 24 mm dia.
	UVC probe	38 mm DIA. x 25 mm	
Accessories Included	* Instruction manual.....1 PC * UVA light sensor..... 1 PC * UVC light sensor..... 1 PC * Hard carrying case, CA-06..... 1 PC		
Optional Accessories	SD Card (2 GB) Type K thermocouple probe. AC to DC 9V adapter. USB cable, USB-01. RS232 cable, UPCB-02. Data Acquisition software,SW-U801-WIN.		

2-2 Electrical Specifications (23± 5 °C)

UV Light (UVA, UVC)

Measurement ranges & resolution	Range 1 : 2 mW/cm ² : 1.999 mW/cm ² x 0.001 mW/cm ² Range 2 : 20 mW/cm ² :
Accuracy	± (4 % FS + 2 dgt). FS : full scale * UVA Calibration is executed under the UVA light & and compare with the standard UVA light meter. * UVC Calibration is executed under the UVC light & and compare with the standard UVC light meter.

Type K/J thermometer

Sensor Type	Resolution	Range	Accuracy
Type K	0.1 °C	-50.0 to 1300.0 °C -50.1 to -100.0 °C	± (0.2 % + 0.5 °C) ± (0.2 % + 1 °C)
	0.1 °F	-58.0 to 2372.0 °F -58.1 to -148.0 °F	± (0.2 % + 1 °F) ± (0.2 % + 1.8 °F)
Type J	0.1 °C	-50.0 to 1100.0 °C -50.1 to -100.0 °C	± (0.2 % + 0.5 °C) ± (0.2 % + 1 °C)
	0.1 °F	-58.0 to 2012.0 °F -58.1 to -148.0 °F	± (0.2 % + 1 °F) ± (0.2 % + 1.8 °F)

@ Above specification tests under the environment RF Field Strength less than 3 V/M & frequency less than 30 MHz only.

3. FRONT PANEL DESCRIPTION

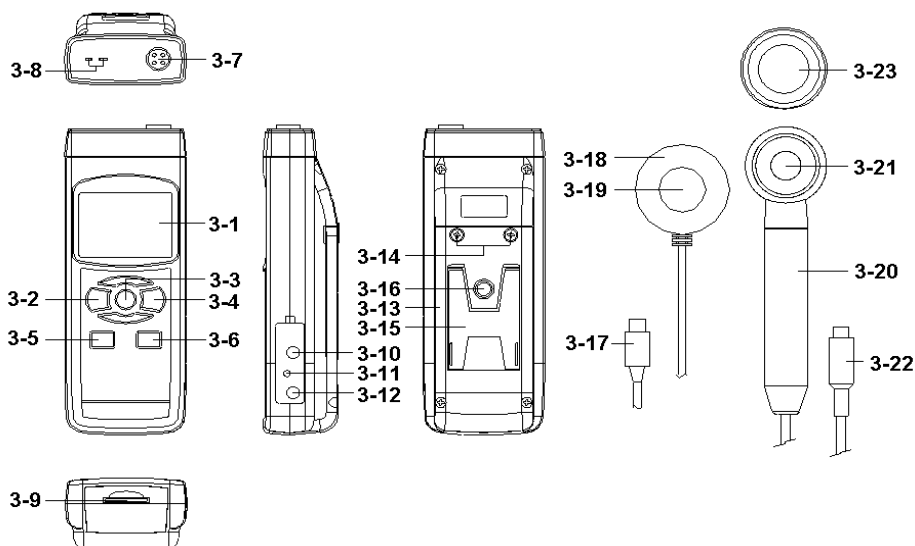


Fig. 1

- 3-1 Display
- 3-2 Power Button (ESC, Backlight Button)
- 3-3 Hold Button (Function, Next Button)
- 3-4 REC Button (Enter Button)
- 3-5 SET Button (▼ Button, Time check Button)
- 3-6 Logger Button (▲ Button, Sampling time check Button, Zero Button)
- 3-7 Probe input socket
- 3-8 Type K/J thermometer socket
- 3-9 SD card socket
- 3-10 RS-232 Output Terminal
- 3-11 Reset Button
- 3-12 DC 9V Power Adapter Input Socket
- 3-13 Battery Compartment/Cover
- 3-14 Battery Cover Screws
- 3-15 Stand
- 3-16 Tripod Fix Nut
- 3-17 UVC Probe Plug
- 3-18 UVC Sensor body
- 3-19 UVC Sensor
- 3-20 UVA Probe Handle
- 3-21 UVA Sensor
- 3-22 UVA Probe Plug
- 3-23 UVA Sensor Cover

4. MEASURING PROCEDURE

4-1 Function selection/Measurement

1) Turn on the meter by pressing the " Power Button " (3-2, Fig. 1) momentarily.

** Pressing the " Power Button " (3-2, Fig. 1) continuously and > 2 seconds again will turn off the meter.*

2) The meter can select 3 kind function as :

- a. **UVA Light meter**
- b. **UVC Light meter**
- c. **Type K/J Thermometer**

Pressing the " Function Button " (3-3, Fig. 1) continuously (not release the button), the Display will show the following text in sequence :

A	UVA Light meter
C	UVC Light meter
tP	Type K/J Thermometer

Until the Display show the desired mode (Function), just release the " Function Button " (3-3, Fig. 1), the meter will execute this function with default.

UVA Light Meter

- a. Set the function to the UVA light meter, refer to page 7.
- b. Install the " UVA Probe Plug " (3-22, Fig. 1) into the " Probe Input Socket " (3-7, Fig. 1).
- c. Power on the meter by pressing the " Power Button " (3-2, Fig. 1). The display will show the " mW/cm^2 " unit. Now the meter is ready for making the UVA light measurement.
- d. Use the fingers to hold the " Sensor Handle " (3-20), face the " UVA Sensor " (3-21, Fig. 1) against to the measurement UVA light source directly. The display will show the UVA light measurement value.

Zero adjustment :

During the UVA measurement, if blank the UVA Sensor (3-21, Fig. 1) by " UVA Sensor Cover " (3-23 , Fig. 1), the Display not show zero value, press the " Zero Button, Logger Button " (3-6, Fig. 1) > 3 seconds, Display will show zero value. Upon completion, remove the sensor cover.

UVC Light Meter

- a. Set the function to the UVA light meter, refer to page 7.
- b. Install the " UVC Probe Plug " (3-17, Fig. 1) into the " Probe Input Socket " (3-7, Fig. 1).
- c. Power on the meter by pressing the " Power Button " (3-2, Fig. 1). The display will show the " mW/cm^2 " unit. Now the meter is ready for making the UVC light measurement.
- d. Use the fingers to hold the " UVC Sensor body " (3-18), face the " UVC Sensor " (3-19, Fig. 1) against to the measurement UVC light source directly. The display will show the UVC light measurement value.

Zero adjustment :

During the UVC measurement, if blank the UVC Sensor (3-19, Fig. 1) , the Display not show zero value, press the " Zero Button, Logger Button " (3-6, Fig. 1) > 3 seconds, Display will show zero value. Upon completion, remove the sensor cover.

Type K/J thermometer

- a. Function select to " Type K/J thermometer "
- b. Not install the " Probe Plug " (3-17, 3-22 Fig. 1) into the " Probe Input Socket " (3-7, Fig. 1).
- c. Plug the Thermocouple Temp. Probe (Type K Temp. probe pr Type J Temp. probe, optional) into " Type K/J Probe Input Socket " (3-8, Fig. 1)
The Display will show the measuring value that sensing from the Temp. probe.
- d. If the Display show the indicator " K ", it is ready for Type K thermometer.
If the Display show the indicator " J ", it is ready for Type J thermometer.

Remark :

***The meter is defaulted to " Type K thermometer ".
If intend to select the " Type J thermometer with default , please refer chapter 7-5 (page 19).***

4-2 Data Hold

During the measurement, press the " Hold Button " (3-3, Fig. 1) once will hold the measured value & the LCD will display a " HOLD " symbol.

Press the " Hold Button " once again will release the data hold function.

4-3 Data Record (Max., Min. reading)

- 1) The data record function records the maximum and minimum readings. Press the " REC Button " (3-4, Fig. 1) once to start the Data Record function and there will be a " REC. " symbol on the display.
- 2) With the " REC. " symbol on the display :
 - a) Press the " REC Button " (3-4, Fig. 1) once, the " REC. MAX. " symbol along with the maximum value will appear on the display.
If intend to delete the maximum value, just press the " Hold Button " (3-3, Fig. 1) once, then the display will show the " REC. " symbol only & execute the memory function continuously.
 - b) Press the " REC Button " (3-4, Fig. 1) again, the " REC. MIN. " symbol along with the minimum value will appear on the display.
If intend to delete the minimum value, just press the " Hold Button " (3-3, Fig. 1) once, then the display will show the " REC. " symbol only & execute the memory function continuously.
 - c) To exit the memory record function, just press the " REC " button for 2 seconds at least. The display will revert to the current reading.

4-4 LCD Backlight ON/OFF

After power ON, the " LCD Backlight " will light automatically. During the measurement, press the " Backlight Button " (3-2, Fig. 1) once will turn OFF the " LCD Backlight ".

Press the " Backlight Button " once again will turn ON the " LCD Backlight " again.

5. DATALOGGER

5-1 Preparation before execute datalogger function

a. Insert the SD card

Prepare a " SD memory card " (1 G to 16 G, optional), insert the SD card into the " SD card socket " (3-9, Fig. 1). The front panel of the SD card should face against the the down case.

**** It recommend use memory card \leq 4 GB.***

b. SD card Format

If SD card just the first time use into the meter, it recommend to make the " SD card Format " at first. , please refer chapter 7-8 (page 20).

**** It recommend strongly, do not use memory cards that have been formatted by other meter or by other installation (such as camera...). Reformat the memory card with your meter.***

c. Time setting

If the meter is used at first time, it should to adjust the clock time exactly, please refer chapter 7-1 (page 17).

d. Decimal format setting



The numerical data structure of SD card is default used the " ." as the decimal, for example "20.6" "1000.53" . But in certain countries (Europe ...) is used the " , " as the decimal point, for example " 20, 6 " "1000,53". Under such situation, it should change the Decimal character at first, details of setting the Decimal point, refer to Chapter 7-2, page 18.

5-2 Auto Datalogger (Set sampling time ≥ 1 second)

a. Start the datalogger

Press the " REC Button (3-4, Fig. 1) once , the LCD will show the text " REC ", then press the " Logger Button " (3-6, Fig. 1), the " REC " will flashing, at the same time the measuring data along the time information will be saved into the memory circuit.

Remark :

**How to set the sampling time, refer to Chapter 7-7, page 19.*

**How to set the beeper sound is enable, refer to Chapter 7-4, page 19.*

b. Pause the datalogger

During execute the Datalogger function , if press the " Logger Button " (3-6, Fig. 1) once will pause the Datalogger function (stop to save the measuring data into the memory circuit temporally). In the same time the text of " REC " will stop flashing.

Remark :

If press the " Logger Button " (3-6, Fig. 1) once again will execute the Datalogger again, the text of " REC " will flashing .

c. Finish the Datalogger

During pause the Datalogger, press the " REC Button " (3-4, Fig. 1) continuously at least two seconds, the " REC " indication will be disappeared and finish the Datalogger.

5-3 Manual Datalogger (Set sampling time = 0 second)

a. Set sampling time is to 0 second

Press the " REC Button (3-4, Fig. 1) once , the LCD will show the text " REC ", then press the " Logger Button " (3-6, Fig. 1) once, the " REC " will flashing once and Beeper will sound once, at the same time the measuring data along the time information will be saved into the memory circuit. The lower Display will show the Position (Location) no. and saved into the SD card too.

Remark :

During execute the Manual Datalogger, press the " ▼ Button " (3-5, Fig. 1) the lower no. (position no.) will flashing. It can use the " ▲ Button " (3-6, Fig. 1) or " ▼ Button " (3-5, Fig. 1) to set the measuring position (1 to 99, for example room 1 to room 99) to identify the measurement location , the lower Display will show P x ($x = 1$ to 99). After the position no. is selected, t press the " Enter Button " (3-4, Fig. 1) to confirm.

b. Finish the Datalogger

Press the " REC Button " (3-4, Fig. 1) continuously at least two seconds, the " REC " indication will be disappeared and finish the Datalogger.

5-4 Check time information

During the normal measurement (not execute the Datalogger), If press " Time check Button " (3-5, Fig. 1) once , the lower LCD display will present the time information of Year, Month/Date, Hour/Minute

5-5 Check sampling time information

During the normal measurement (not execute the Datalogger), If press " Sampling Button " (3-6, Fig. 1) once , the lower LCD display will present the Sampling time information in second unit.

5-6 SD Card Data structure

1) When the first time, the SD card is used into the meter, the SD card will generate a folder :

UVA01

2) If the first time to execute the Datalogger, under the route UVA01\, will generate a new file name UVA01001.XLS.

After exist the Datalogger, then execute again, the data will save to the UVA01001.XLS until Data column reach to 30,000 columns, then will generate a new file, for example UVA01002.XLS

3) Under the folder UVA01\, if the total files more than 99 files, will generate anew route, such as UVA02\

4) The file's route structure :

UVA01\ UVA01001.XLS
 UVA01002.XLS

.....
 UVA01099.XLS

UVA02\ UVA02001.XLS
 UVA02002.XLS

.....
 UVA02099.XLS

UVAXX\

Remark :

XX : Max. value is 10.

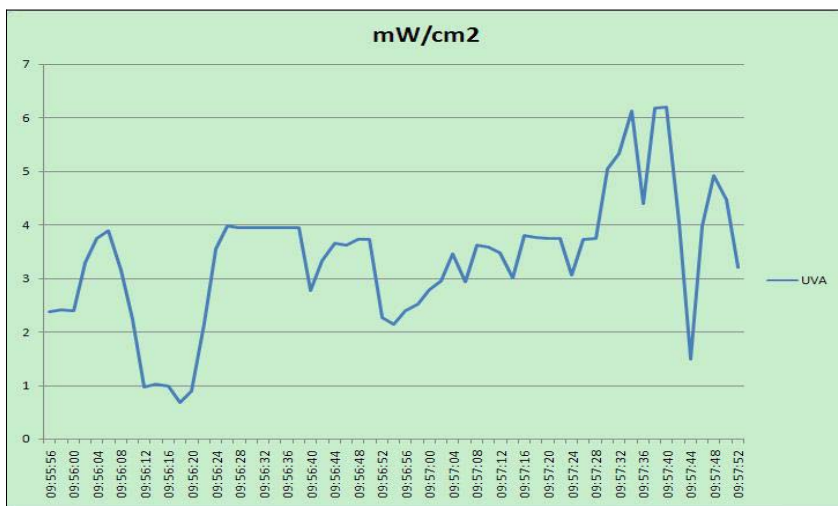
6. Saving data from the SD card to the computer (EXCEL software)

- 1) After execute the Data Logger function, take away the SD card out from the " SD card socket " (3-9, Fig. 1).
- 2) Plug in the SD card into the Computer's SD card slot (if your computer build in this installation) or insert the SD card into the " SD card adapter ". then connect the " SD card adapter " into the computer.
- 3) Power ON the computer and run the " EXCEL software ". Down load the saving data file (for example the file name : UVA01001.XLS, UVA01002.XLS) from the SD card to the computer. The saving data will present into the EXCEL software screen (for example as following EXCEL data screens) , then user can use those EXCEL data to make the further Data or Graphic analysis usefully.

EXCEL data screen (for example)

	A	B	C	D	E	F
1	Place	Date	Time	Value	Unit	
2	1	2009/12/11	09:55:56	2.37	UVA mW/cm2	
3	2	2009/12/11	09:55:58	2.4	UVA mW/cm2	
4	3	2009/12/11	09:56:00	2.38	UVA mW/cm2	
5	4	2009/12/11	09:56:02	3.29	UVA mW/cm2	
6	5	2009/12/11	09:56:04	3.74	UVA mW/cm2	
7	6	2009/12/11	09:56:06	3.89	UVA mW/cm2	
8	7	2009/12/11	09:56:08	3.14	UVA mW/cm2	
9	8	2009/12/11	09:56:10	2.23	UVA mW/cm2	
10	9	2009/12/11	09:56:12	0.953	UVA mW/cm2	
11	10	2009/12/11	09:56:14	1.011	UVA mW/cm2	
12	11	2009/12/11	09:56:16	0.981	UVA mW/cm2	
13	12	2009/12/11	09:56:18	0.673	UVA mW/cm2	
14	13	2009/12/11	09:56:20	0.892	UVA mW/cm2	
15	14	2009/12/11	09:56:22	2.16	UVA mW/cm2	
16	15	2009/12/11	09:56:24	3.55	UVA mW/cm2	
17	16	2009/12/11	09:56:26	3.97	UVA mW/cm2	
18	17	2009/12/11	09:56:28	3.94	UVA mW/cm2	
19	18	2009/12/11	09:56:30	3.94	UVA mW/cm2	
20	19	2009/12/11	09:56:32	3.94	UVA mW/cm2	
21	20	2009/12/11	09:56:34	3.95	UVA mW/cm2	

EXCEL graphic screen (for example)



7. ADVANCED SETTING

Under do not execute the Datalogger function, press the " SET Button " (3-5, Fig. 1) continuously at least two seconds will enter the " Advanced Setting " mode. then press the " Next Button " (3-3, Fig. 1) once a while in sequence to select the eight main function, the lower display will show :

dAtE.....Set clock time (Year/Month/Date, Hour/Minute/Second)

dEC.....Set SD card Decimal character

PoFF..... Auto power OFF management

bEEP.....Set beeper sound ON/OFF

tYPE.....Select the Thermometer to Type K or Type J

t-CF..... Select the Temp. unit to °C or °F

SP-t..... Set sampling time (Hour/Minute/Second)

Sd F..... SD memory card Format

Remark :

During execute the " Advanced Setting " function, if press " Esc Button " (3-2, Fig. 1) once will exit the " Advanced Setting " function, the LCD will return to normal screen.

7-1 Set clock time (Year/Month/Date, Hour/Minute/ Second)

When the lower display show " dAtE "

- 1) Press the " Enter Button " (3-4, Fig. 1) once, Use the " ▲ Button " (3-6, Fig. 1) or " ▼ Button " (3-5, Fig. 1) to adjust the value (Setting start from Year value). After the desired value is set, press the " Enter Button " (3-4, Fig. 1) once will going to next value adjustment (for example, first setting value is Year then next to adjust Month, Date, Hour, Minute, Second value).
- 2) After set all the time value (Year, Month, Date, Hour, Minute, Second), the screen will jump to " SD card Decimal character " setting screen (Chapter 7-2).

Remark :

After the time value is setting, the internal clock will run precisely even Power off if the battery is under normal condition (No low battery power).

7-2 Decimal point of SD card setting

The numerical data structure of SD card is default used the " ." as the decimal, for example "20.6" "1000.53" . But in certain countries (Europe ...) is used the " ," as the decimal point, for example " 20,6 " "1000,53". Under such situation, it should change the Decimal character at first.

When the lower display show " dEC "

- 1) Use the " ▲ Button " (3-6, Fig. 1) or " ▼ Button " (3-5, Fig. 1) to select the upper value to " bASIC " or " Euro ".

bASIC - Use " ." as the Decimal point with default.
Euro - Use " ," as the Decimal point with default.

- 2) After select the upper text to " bASIC " or " Euro ", press the " Enter Button " (3-4, Fig. 1) will save the setting function with default.

7-3 Auto power OFF management

When the lower display show " PoFF "

- 1) Use the " ▲ Button " (3-6, Fig. 1) or " ▼ Button " (3-5, Fig. 1) to select the upper value to " yES " or " no ".

yES - Auto Power Off management will enable.
no - Auto Power Off management will disable.

- 2) After select the upper text to " yES " or " no ", press the " Enter Button " (3-4, Fig. 1) will save the setting function with default.

7-4 Set beeper sound ON/OFF

When the lower display show " bEEP "

- 1) Use the " ▲ Button " (3-6, Fig. 1) or " ▼ Button " (3-5, Fig. 1) to select the upper value to " yES " or " no ".

**yES - Meter's beep sound will be ON with default.
no - Meter's beep sound will be OFF with default.
is power ON.**

- 2) After select the upper text to " yES " or " no ", press the " Enter Button " (3-4, Fig. 1) will save the setting function with default.

7-5 Select the Thermometer to Type K or Type J

When the lower display show " tYPE "

- 1) Use the " ▲ Button " (3-6, Fig. 1) or " ▼ Button " (3-5, Fig. 1) to select the Display unit to " K " or " J ".

**K - Type K thermometer
j - Type J thermometer**

- 2) After Display unit is selected to " K " or " J ", press the " Enter Button " (3-4, Fig. 1) will save the setting function with default.

7-6 Select the Temp. unit to °C or °F

When the lower display show " t-CF "

- 1) Use the " ▲ Button " (3-6, Fig. 1) or " ▼ Button " (3-5, Fig. 1) to select the upper Display text to " C " or " F ".

C - Temperature unit is °C

F - Temperature unit is °F

- 2) After Display unit is selected to " C " or " F ", press the " Enter Button " (3-4, Fig. 1) will save the setting function with default.

7-7 Set sampling time (Seconds)

When the lower display show " SP-t "

- 1) Use the " ▲ Button " (3-6, Fig. 1) or " ▼ Button " (3-5, Fig. 1) to adjust the value (1, 2, 5, 10, 30,60, 120, 300, 600, 1800,3600 seconds).
- 2) After teh Sampling value is selected, press the " Enter Button " (3-4, Fig. 1) will save the setting function with default.

7-8 SD memory card Format

When the lower display show " Sd F "

- 1) Use the " ▲ Button " (3-6, Fig. 1) or " ▼ Button " (3-5, Fig. 1) to select the upper value to " yES " or " no ".

yES - Intend to format the SD memory card


no - Not execute the SD memory card format

- 2) If select the upper to " yES ", press the " Enter Button " (3-4, Fig. 1) once again, the Display will show text " yES Enter " to confirm again, if make sure to do the SD memory card format, then press " Enter Button " once will format the SD memory clear all the existing data that already saving into the SD card.

8. POWER SUPPLY from DC ADAPTER

The meter also can supply the power supply from the DC 9V Power Adapter (optional). Insert the plug of Power Adapter into " DC 9V Power Adapter Input Socket " (3-12, Fig. 1). The meter will permanent power ON when use the DC ADAPTER power supply (The power Button function is disable).

9. BATTERY REPLACEMENT

- 1) When the left corner of LCD display show " , it is necessary to replace the battery. However, in-spec. measurement may still be made for several hours after low battery indicator appears before the instrument become inaccurate.
- 2) Loose the screws of the " Battery Cover " (3-13, Fig. 1) and take away the " Battery Cover " from the instrument and remove the battery.
- 3) Replace with DC 1.5 V battery (UM3, AA, Alkaline/heavy duty) x 6 PCs, and reinstate the cover.
- 4) Make sure the battery cover is secured after changing the battery.

10. SYSTEM RESET

If the meter happen the troubles such as :

CPU system is hold (for example, the key button can not be operated...).

Then make the system RESET will fix the problem.
The system RESET procedures will be either following method :

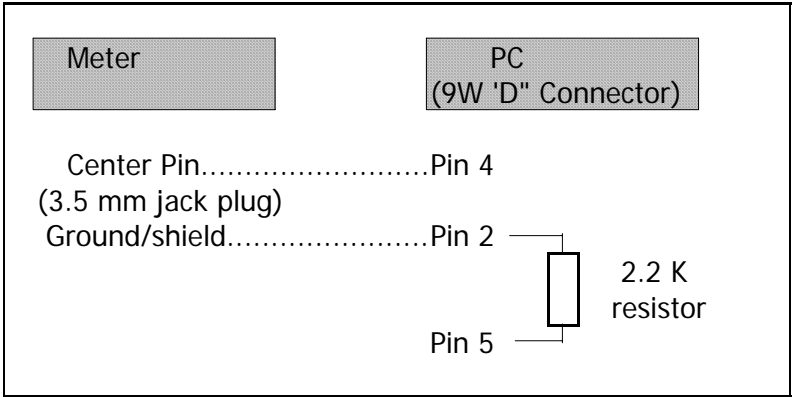
During the power on, use a pin to press the " Reset Button " (3-11, Fig. 1) once a while will reset the circuit system.

11. RS232 PC SERIAL INTERFACE

The instrument has RS232 PC serial interface via a 3.5 mm terminal (3-10, Fig. 1).

The data output is a 16 digit stream which can be utilized for user's specific application.

A RS232 lead with the following connection will be required to link the instrument with the PC serial port.



The 16 digits data stream will be displayed in the following format :

D15 D14 D13 D12 D11 D10 D9 D8 D7 D6 D5 D4 D3 D2 D1 D0

Each digit indicates the following status :

D15	Start Word
D14	4
D13	When send the upper display data = 1 When send the lower display data = 2
D12, D11	Annunciator for Display
	°C = 01 °F = 02
	mW/cm ² = A8 (D12 = A, D11 = 8)
D10	Polarity 0 = Positive 1 = Negative
D9	Decimal Point(DP), position from right to the left, 0 = No DP, 1 = 1 DP, 2 = 2 DP, 3 = 3 DP
D8 to D1	Display reading, D1 = LSD, D8 = MSD For example : If the display reading is 1234, then D8 to D1 is : 00001234
D0	End Word

RS232 FORMAT : 9600, N, 8, 1

Baud rate	9600
Parity	No parity
Data bit no.	8 Data bits
Stop bit	1 Stop bit

12. Optional Type K Temp. probe

(Type K) TP-01	<ul style="list-style-type: none"> * Max. short-term operating Temperature: 300 °C (572 °F). * It is an ultra fast response naked-bead thermocouple suitable for many general purpose application.
Thermocouple Probe (Type K), TP-02A	<ul style="list-style-type: none"> * Measure Range: -50 °C to 900 °C, -58 °F to 1650 °F. * Dimension: 12cm tube, 3.2mm Dia.
Thermocouple Probe (Type K), TP-03	<ul style="list-style-type: none"> * Measure Range: -50 °C to 1100 °C, -58 °F to 2012 °F. * Dimension: 13.6cm tube, 8mm Dia.
Surface Probe (Type K), TP-04	<ul style="list-style-type: none"> * Measure Range: -50 °C to 400 °C, -58 °F to 752 °F. * Size : Temp. sensing head - 15 mm Dia. Probe length - 120 mm.

13. PATENT

The meter (SD card structure) already get patent or patent pending in following countries :

Germany	Nr. 20 2008 016 337.4
JAPAN	3151214
TAIWAN	M 358970 M 359043
CHINA	ZL 2008 2 0189918.5 ZL 2008 2 0189917.0
USA	Patent pending